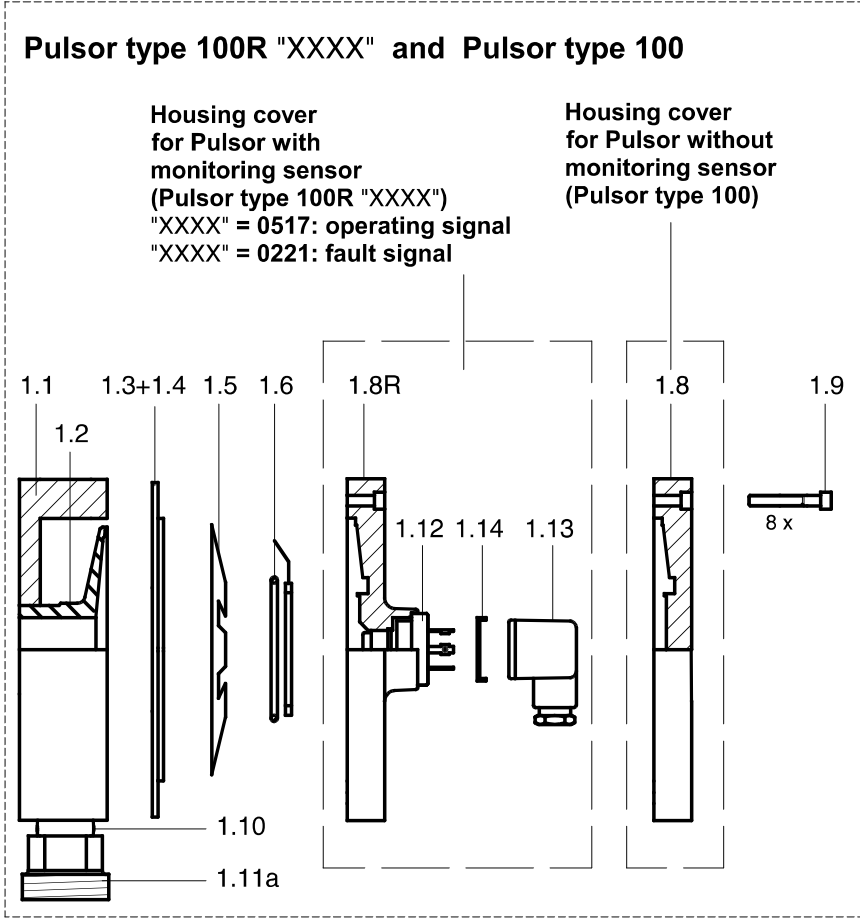
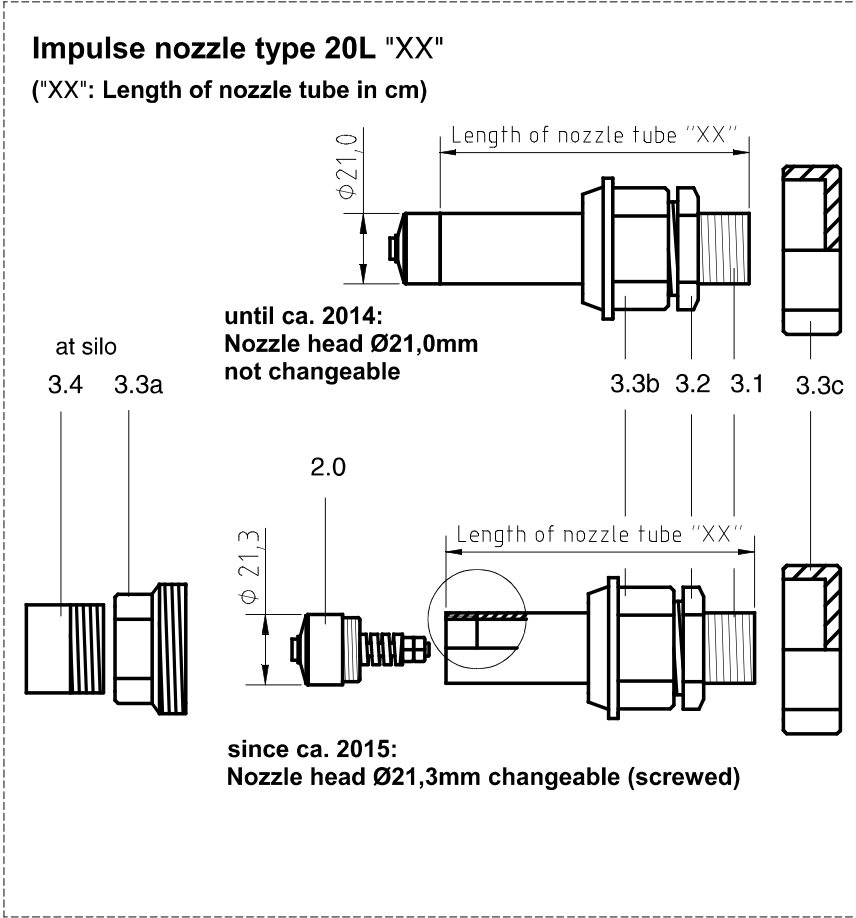


Representation of parts: Pulsor type 100 with impulse nozzle



Impulse nozzle type 20 L "XX"	
100-2.0 *	Nozzle head, 1.4112
100-3.1+3.2	Nozzle tube (3.1) with reducer (3.2), length "XX" (see below), 1.4571
100-3.3a	Pipe union, screw-in part, 1.4404
100-3.3b	Pipe union, insert part, 1.4404
100-3.3c	Pipe union, union nut, 1.4404
100-3.4	Weld-on nipple, R ³ / ₄ "
	XX= 90mm => type 20L09
	XX=100mm => type 20L10
	XX=110mm => type 20L11
	XX=120mm => type 20L12
	XX=130mm => type 20L13
	XX=140mm => type 20L14
	XX=160mm => type 20L16
	XX=180mm => type 20L18
* Wear parts	

Pulsor type 100R and type 100	
100-1.1+1.2	Housing bottom with seat plate, AlCuMgPb/AlZnSiCu
100-1.3+1.4 *	Sealing diaphragm with valve disk, CR-PA/1.4021
100-1.5 *	Plate spring, 51CrV4
100-1.6 *	Seat rings, 51CrV4
100-1.8	Housing cover, AlCuMgPb
100-1.8R+1.12	Housing cover (1.8R) with sensor (1.12) no. 0517 or no. 0221
100-1.9	Hexagon screw, 1.4301
100-1.10	Pipe double nipple, 1.4571
100-1.11a	Pipe union, screw-in part, 1.4404
100-1.13	Angle plug
100-1.14	Sealing
* Wear parts	