

## Representation of parts: Pulsor type 300 with impulse nozzle

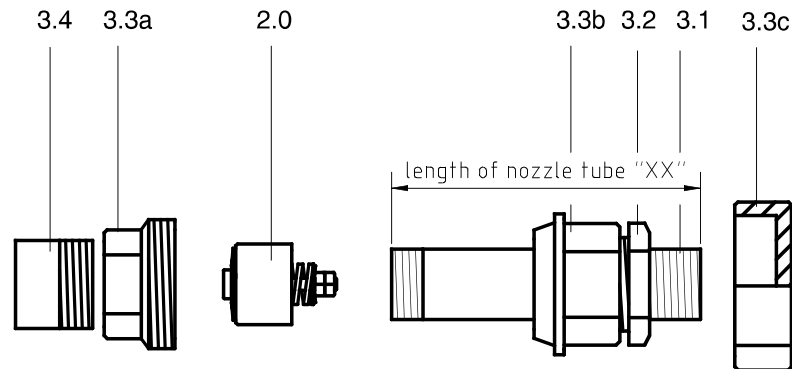
### Impulse nozzle type 50 VT "XX" and type 50 VV "XX"

("XX": length of nozzle tube in cm)

Impulse nozzle type 50VT "XX":  
 Mounting union (item 3.3 ): malleable cast iron, galvanized  
 Impulse nozzle type 50VV "XX":  
 Mounting union (item 3.3 ): stainless steel 1.4571

("XX": length of nozzle tube in cm)

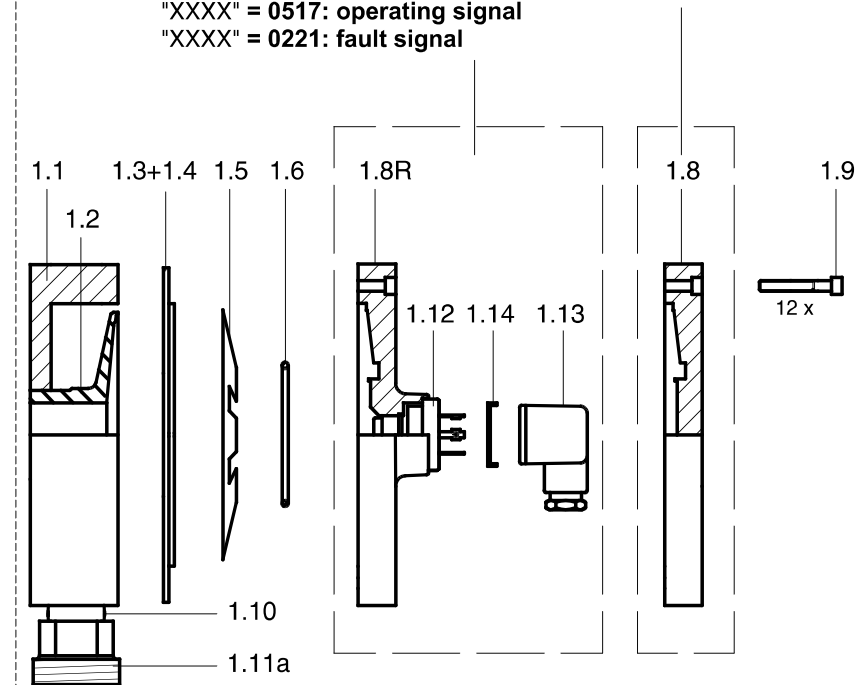
installed at silo:



### Pulsor type 300R "XXXX" and Pulsor type 300

Housing cover  
 for Pulsor with  
 monitoring sensor  
 (Pulsor type 300R "XXXX")  
 "XXXX" = 0517: operating signal  
 "XXXX" = 0221: fault signal

Housing cover  
 for Pulsor without  
 monitoring sensor  
 (Pulsor type 300)



### Impulse nozzle type 50 VT "XX" and type 50 W "XX"

300-2.0 *	Nozzle head, 1.4112
300-3.1+3.2	Nozzle tube (3.1) with reducer (3.2), length "XX" (see below), 1.4571
300-3.3a	Pipe union, screw-in part, MCI galv. (type VT) or 1.4404 (Typ VV)
300-3.3b	Pipe union, insert part, MCI galv. (type VT) or 1.4404 (Typ VV)
300-3.3c	Pipe union, union nut, MCI galv. (type VT) or 1.4404 (Typ VV)
300-3.4	Weld-on nipple, R 2"

XX=160mm =>type 50 VT16 / W16

XX=180mm =>type 50 VT18 / W18

XX=250mm =>type 50 VT25 / W25

\* Wear parts

### Pulsor type 300R and type 300

300-1.1+1.2	Housing bottom with seat plate, AISi10Mg/Ms58
300-1.3+1.4 *	Sealing diaphragm with valve disk, CR-PA/1.4021
300-1.5 *	Plate spring, 51CrV4
300-1.6 *	Seat ring, 51CrV4
300-1.8	Housing cover, AISi10Mg
300-1.8R+1.12	Housing cover (1.8R) with sensor (1.12) no. 0517 or no. 0221
300-1.9	Hexagon screw, 1.4301
300-1.10	Pipe double nipple, 1.4571
300-1.11a	Pipe union, screw-in part, malleable cast iron (MCI), galv
300-1.13	Angle plug
300-1.14	Sealing

\* Wear parts