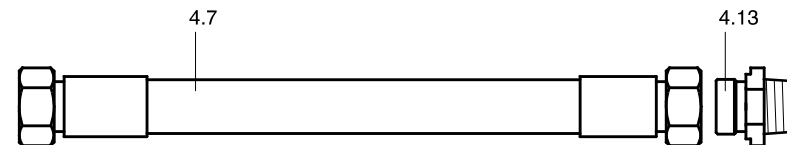
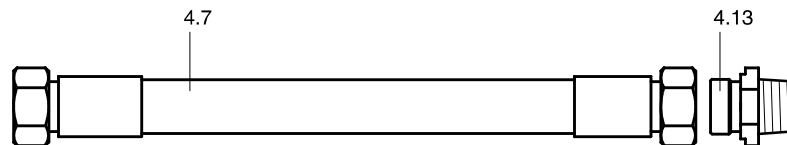
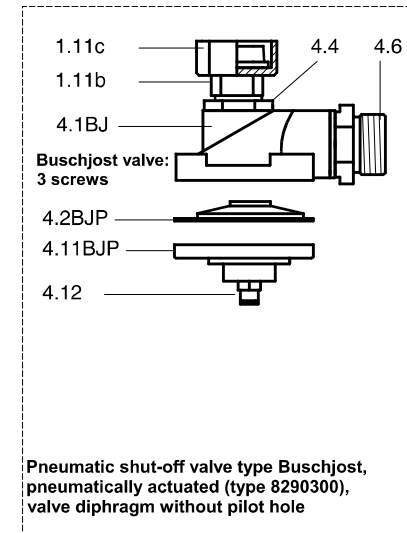
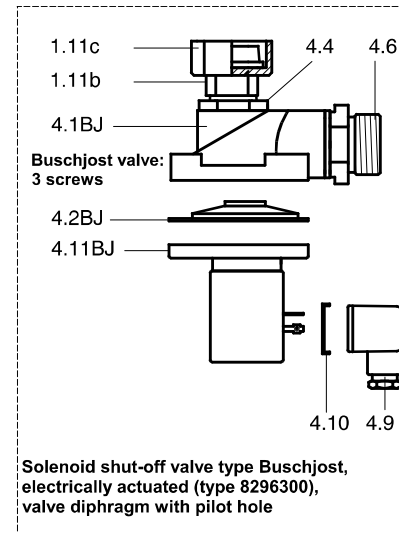
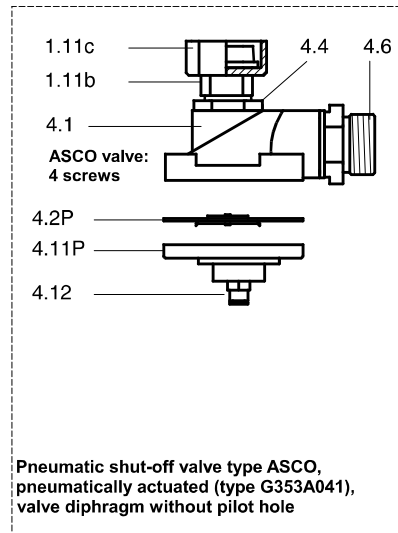
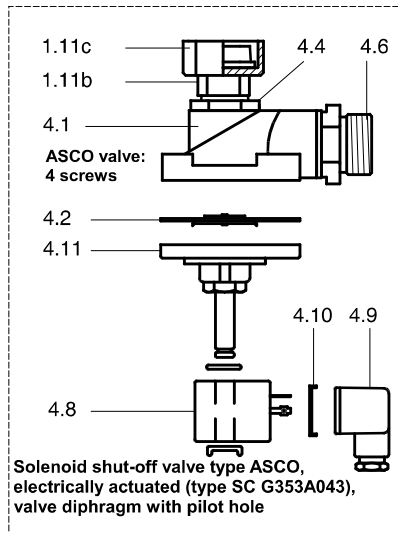


Representation of parts: shut-off valve and compressed air connection hose 100



ASCO valve (standard to ca. 2015)	
100-1.11b	Pipe union insert part, 1.4404
100-1.11c	Pipe union, union nut 1.4404
100-4.1	Valve housing, Aluminium
100-4.2 *	Valve diaphragm with pilot hole, TPE (Hytrel)
100-4.6	Screw-in union 22L-G $\frac{3}{4}$ " (cylindrical thread)
100-4.8	Solenoid
100-4.9	Angle connector
100-4.10	Sealing
100-4.11	Valve cover with solenoid base sub-assembly
100-4.2P *	Valve diaphragm without pilot hole, TPE (Hytrel)
100-4.211P	Valve cover with control air connector G 1/8"
100-4.12	Push-in connector G1/8" - 6mm
100-4.7	Compressed air hose (hydraulic hose 1SN DN20)
100-4.13	Screw-in union 22L-R $\frac{3}{4}$ " (conical thread)
* Wear parts	

Buschjost valve (standard since ca. 2015)	
100-1.11b	Pipe union insert part, 1.4404
100-1.11c	Pipe union, union nut 1.4404
100-4.1	Valve housing, Aluminium
100-4.2BJ	Valve diaphragm with pilot hole, TPE (Hytrel)
100-4.6	Screw-in union 22L-G $\frac{3}{4}$ " (cylindrical thread)
100-4.9	Angle connector
100-4.10	Sealing
100-4.11BJ	Valve cover with solenoid
100-4.2BJP	Valve diaphragm without pilot hole, TPE (Hytrel)
100-4.11BJP	Valve cover with control air connector G 1/8"
100-4.12	Push-in connector G1/8" - 6mm
100-4.7	Compressed air hose (hydraulic hose 1SN DN20)
100-4.13	Screw-in union 22L-R $\frac{3}{4}$ " (conical thread)